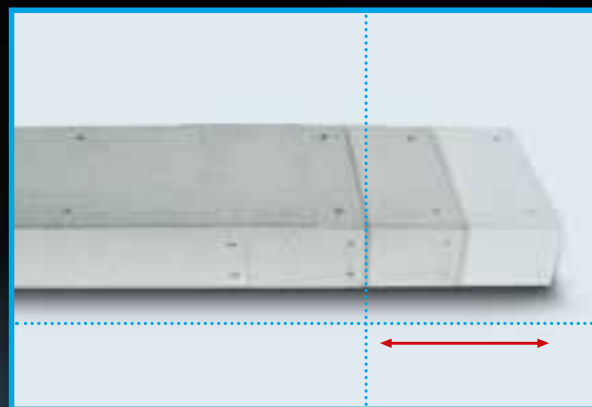
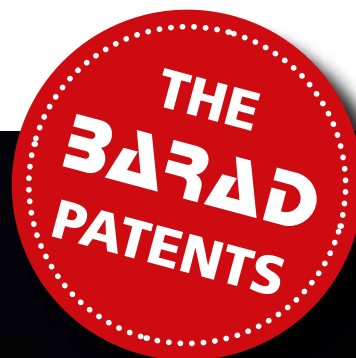


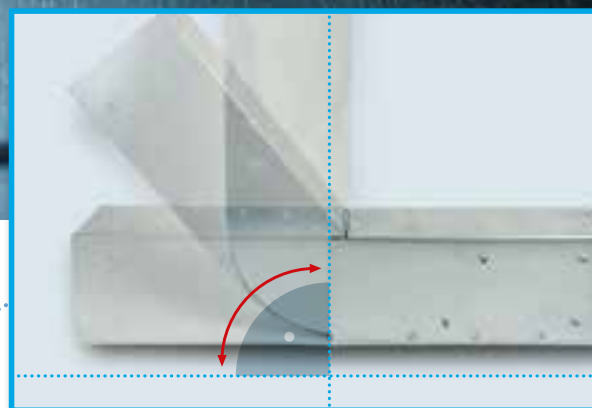
SAVE UP TO 80% INSTALLATION TIME!

And you get work safety at no charge.

With the same material costs with the **BARAD** patents.

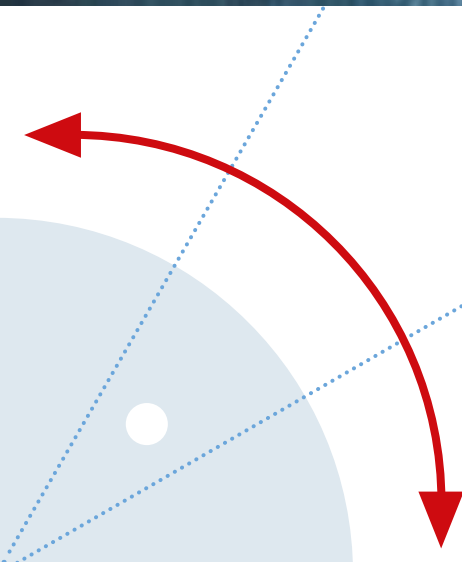


Patented, infinitely adjustable telescopic pieces.

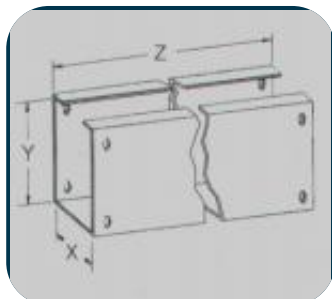


Patented, infinitely adjustable turnable corner pieces.

You can find additional explanations on the last page.



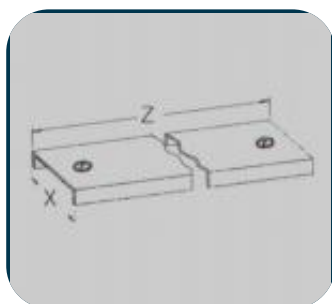
0 Cable duct



Order no.	Type	Dimensions (X x Y x Z)	Plate thickness (mm)	Weight (Kg)
K-2018	B / L / N	20x18x2000	1,00	0,97
K-3030	B / L / N	30x30x2000	1,00	1,59
K-4040	B / L / N	40x40x2000	1,00	2,01
K-5050	B / L / N	50x50x2000	1,25	3,13
K-6060	B / L / N	60x60x2000	1,25	3,76
K-7575	B / L / N	75x75x2000	1,25	4,87
K-100100	B / L / N	100x100x2000	1,25	6,36
K-150100	B / L / N	150x100x2000	1,50	8,80
K-200100	B / L / N	200x100x2000	1,50	9,99
K-300150	B / L / N	300x150x2000	2,00	14,78
K-400150	B / L / N	400x150x2000	2,50	22,79
K-500150	B / L / N	500x150x2000	2,50	25,99
K-600150	B / L / N	600x150x2000	2,50	36,73
K-800150	B / L / N	800x150x2000	2,50	44,70

Type: (B) Fire-galvanised / (L) Powder-coated / (N) Stainless steel

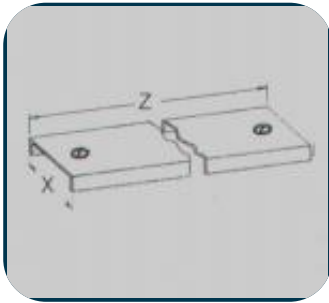
1 Cable duct cover



Order no.	Type	Dimensions (X x Y x Z)	Plate thickness (mm)	Weight (Kg)
KD-20	B / L / N	20x2000	1,00	0,51
KD-30	B / L / N	30x2000	1,00	0,74
KD-40	B / L / N	40x2000	1,00	0,89
KD-50	B / L / N	50x2000	1,25	1,52
KD-60	B / L / N	60x2000	1,25	1,72
KD-75	B / L / N	75x2000	1,25	2,04
KD-100	B / L / N	100x2000	1,25	2,54
KD-150	B / L / N	150x2000	1,50	4,23
KD-200	B / L / N	200x2000	1,50	5,43
KD-300	B / L / N	300x2000	2,00	7,92
KD-400	B / L / N	400x2000	2,50	16,90
KD-500	B / L / N	500x2000	2,50	16,90
KD-600	B / L / N	600x2000	2,50	25,18
KD-800	B / L / N	800x2000	2,50	33,16

Type: (B) Fire-galvanised / (L) Powder-coated / (N) Stainless steel

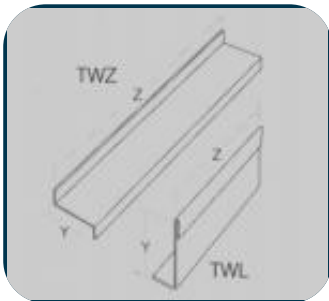
2 Cable duct cover non-slip



Order no.	Type	Dimensions (X x Y x Z)	Plate thickness (mm)	Weight (Kg)
KDT-30	B / L / N	30x2000	2,00	1,57
KDT-50	B / L / N	50x2000	2,00	2,36
KDT-75	B / L / N	75x2000	2,00	3,20
KDT-100	B / L / N	100x2000	2,00	4,00
KDT-150	B / L / N	150x2000	2,50	8,95
KDT-200	B / L / N	200x2000	2,50	8,95
KDT-300	B / L / N	300x2000	3,00	15,67
KDT-400	B / L / N	400x2000	4,00	27,18
KDT-500	B / L / N	500x2000	4,00	33,57

Type: (B) Fire-galvanised / (L) Powder-coated / (N) Stainless steel

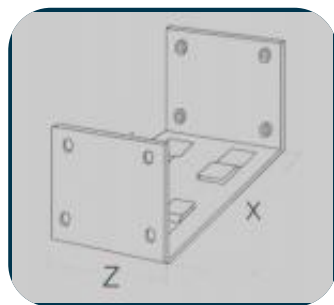
3 Rivet crimper



Order no.	Type	Dimensions (X x Y x Z)	Plate thickness (mm)	Weight (Kg)
TWL-50	B / L / N	45x2000	1,25	1,12
TWL-75	B / L / N	70x2000	1,25	1,71
TWL-100	B / L / N	90x2000	1,25	2,20
TWL-150	B / L / N	140x2000	1,50	3,80
TWZ-50	B / L / N	45x2000	1,25	1,12
TWZ-75	B / L / N	70x2000	1,25	2,20
TWZ-100	B / L / N	95x2000	1,25	2,20
TWZ-150	B / L / N	140x2000	1,50	3,80

Type: (B) Fire-galvanised / (L) Powder-coated / (N) Stainless steel

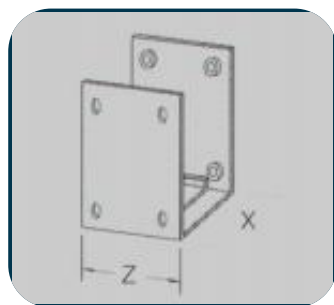
4 Holder for separating walls



Order no.	Type	Dimensions (X x Y x Z)	Plate thickness (mm)	Weight (Kg)
HTW-50	B / L / N	50x76	1,25	0,16
HTW-60	B / L / N	60x76	1,25	0,18
HTW-75	B / L / N	75x76	1,25	0,22
HTW-100	B / L / N	100x76	1,25	0,30
HTW-150	B / L / N	150x76	1,50	0,37
HTW-200	B / L / N	200x76	1,50	0,42
HTW-300	B / L / N	300x76	2,00	0,61
HTW-400	B / L / N	400x76	2,50	0,90
HTW-500	B / L / N	500x76	2,50	1,02

Type: (B) Fire-galvanised / (L) Powder-coated / (N) Stainless steel

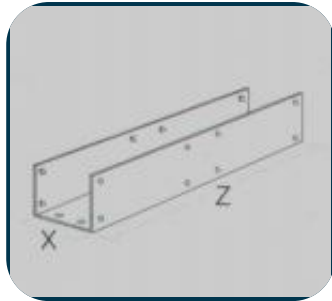
5 Cable duct connector



Order no.	Type	Dimensions (X x Y x Z)	Plate thickness (mm)	Weight (Kg)
KKV-20	B / L / N	20x76	1,00	0,02
KKV-30	B / L / N	30x76	1,00	0,05
KKV-40	B / L / N	40x76	1,25	0,08
KKV-50	B / L / N	50x76	1,25	0,12
KKV-60	B / L / N	60x76	1,25	0,14
KKV-75	B / L / N	75x76	1,25	0,18
KKV-100	B / L / N	100x76	1,25	0,25
KKV-150	B / L / N	150x76	1,50	0,33
KKV-200	B / L / N	200x76	1,50	0,38
KKV-300	B / L / N	300x76	2,00	0,57
KKV-400	B / L / N	400x76	2,50	0,86
KKV-500	B / L / N	500x76	2,50	0,98
KKV-600	B	600x76	2,50	1,36
KKV-800	B / L / N	800x76	2,50	1,67

Type: (B) Fire-galvanised / (L) Powder-coated / (N) Stainless steel

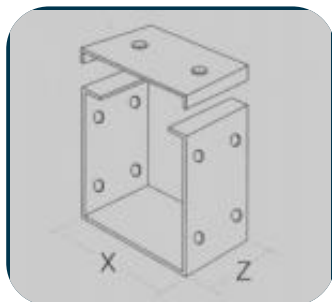
6 Stability duct connectors



Order no.	Type	Dimensions (X x Y x Z)	Plate thickness (mm)	Weight (Kg)
SKV-30	B / L / N	30x30x100	1,00	0,06
SKV-50	B / L / N	50x50x350	1,25	0,50
SKV-75	B / L / N	75x75x350	1,25	0,76
SKV-100	B / L / N	100x100x350	1,25	1,05
SKV-150	B / L / N	150x100x350	1,50	1,44
SKV-200	B / L / N	200x100x350	1,50	1,66
SKV-300	B / L / N	300x150x350	2,00	2,49
SKV-400	B / L / N	400x150x350	2,50	3,83
SKV-500	B / L / N	500x150x350	2,50	5,45

Type: (B) Fire-galvanised / (L) Powder-coated / (N) Stainless steel

7 Fitting connector



Order no.	Type	Dimensions (X x Y x Z)	Plate thickness (mm)	Weight (Kg)
FSV-20	B / L / N	20x20x26	1,00	0,04
FSV-30	B / L / N	30x30x76	1,00	0,07
FSV-40	B / L / N	40x40x76	1,00	0,09
FSV-50	B / L / N	50x50x76	1,25	0,16
FSV-60	B / L / N	60x60x76	1,25	0,17
FSV-75	B / L / N	75x75x76	1,25	0,22
FSV-100	B / L / N	100x100x76	1,25	0,30
FSV-150	B / L / N	150x100x76	1,50	0,45
FSV-200	B / L / N	200x100x76	1,50	0,54
FSV-300	B / L / N	300x150x76	2,00	0,82
FSV-400	B / L / N	400x150x76	2,50	1,35
FSV-500	B / L / N	500x150x76	2,50	1,59

Type: (B) Fire-galvanised / (L) Powder-coated / (N) Stainless steel

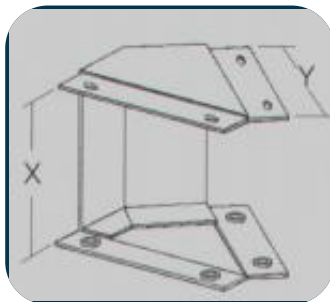
8 External angle connector



Order no.	Type	Dimensions (X x Y x Z)	Plate thickness (mm)	Weight (Kg)
AWV-30	B / L / N	30x30x13	1,00	0,04
AWV-50	B / L / N	50x50x21	1,25	0,10
AWV-75	B / L / N	75x75x31	1,25	0,17
AWV-100	B / L / N	100x100x42	1,25	0,23
AWV-150	B / L / N	150x100x42	1,50	0,34
AWV-200	B / L / N	200x100x42	1,50	0,38
AWV-300	B / L / N	300x150x63	2,00	0,65
AWV-400	B / L / N	400x150x63	2,50	0,94
AWV-500	B / L / N	500x150x63	2,50	1,28

Type: (B) Fire-galvanised / (L) Powder-coated / (N) Stainless steel

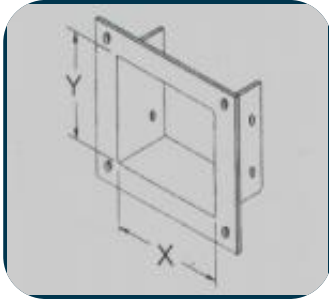
9 Interior angle connector



Order no.	Type	Dimensions (X x Y x Z)	Plate thickness (mm)	Weight (Kg)
IWV-30	B / L / N	30x30x13	1,00	0,02
IWV-50	B / L / N	50x50x21	1,25	0,10
IWV-75	B / L / N	75x75x31	1,25	0,18
IWV-100	B / L / N	100x100x42	1,25	0,30
IWV-150	B / L / N	150x100x42	1,50	0,49
IWV-200	B / L / N	200x100x42	1,50	0,58
IWV-300	B / L / N	300x150x63	2,00	1,09
IWV-400	B / L / N	400x150x63	2,50	1,73
IWV-500	B / L / N	500x150x63	2,50	

Type: (B) Fire-galvanised / (L) Powder-coated / (N) Stainless steel

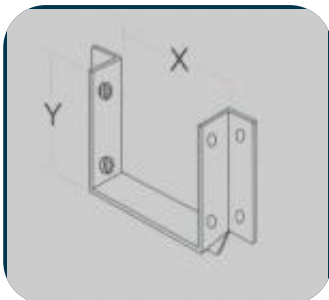
10 Duct end flange



Order no.	Type	Dimensions (X x Y x Z)	Plate thickness (mm)	Weight (Kg)
EF-20	B / L / N	20x20	1,00	0,02
EF-30	B / L / N	30x30	1,00	0,05
EF-50	B / L / N	50x50	1,25	0,08
EF-75	B / L / N	75x75	1,25	0,12
EF-100	B / L / N	100x100	1,25	0,12
EF-150	B / L / N	150x100	1,50	0,25
EF-200	B / L / N	200x100	1,50	0,30
EF-300	B / L / N	300x150	2,00	0,45
EF-400	B / L / N	400x150	2,50	0,71
EF-500	B / L / N	500x150	2,50	1,03

Type: (B) Fire-galvanised / (L) Powder-coated / (N) Stainless steel

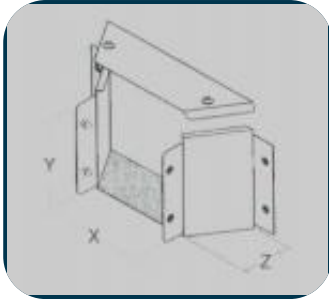
11 Duct end flange open



Order no.	Type	Dimensions (X x Y x Z)	Plate thickness (mm)	Weight (Kg)
EFO-30	B / L / N	30x30	1,00	0,03
EFO-50	B / L / N	50x50x	1,25	0,08
EFO-75	B / L / N	75x75	1,25	0,12
EFO-100	B / L / N	100x100	1,25	0,17
EFO-150	B / L / N	150x100	1,50	0,24
EFO-200	B / L / N	200x100	1,50	0,27
EFO-300	B / L / N	300x150	2,00	0,41
EFO-400	B / L / N	400x150	2,50	0,62
EFO-500	B / L / N	500x150	2,50	0,88

Type: (B) Fire-galvanised / (L) Powder-coated / (N) Stainless steel

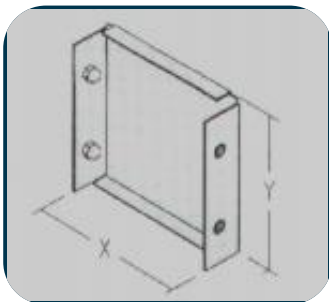
12 Cover end flange



Order no.	Type	Dimensions (X x Y x Z)	Plate thickness (mm)	Weight (Kg)
DEF-20	B / L / N	20x20x25	1,25	0,02
DEF-30	B / L / N	30x30x28	1,25	0,10
DEF-50	B / L / N	50x50x52,5	1,25	0,26
DEF-75	B / L / N	75x75x55,5	1,25	0,37
DEF-100	B / L / N	100x100x73,5	1,25	0,61
DEF-150	B / L / N	150x100x102,5	1,50	1,18
DEF-200	B / L / N	200x100x102,5	1,50	1,32
DEF-300	B / L / N	300x150x102,5	2,00	1,84
DEF-400	B / L / N	400x150x102,5	2,50	0,71
DEF-500	B / L / N	500x150x102,5	2,50	1,03

Type: (B) Fire-galvanised / (L) Powder-coated / (N) Stainless steel

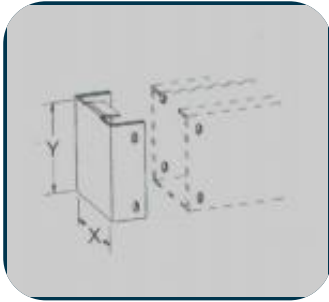
13 End caps inside



Order no.	Type	Dimensions (X x Y x Z)	Plate thickness (mm)	Weight (Kg)
EKI-20	B / L / N	20x20	1,00	0,01
EKI-30	B / L / N	30x30	1,00	0,02
EKI-50	B / L / N	50x50	1,25	0,07
EKI-60	B / L / N	60x60	1,25	0,09
EKI-75	B / L / N	75x75	1,25	0,12
EKI-100	B / L / N	100x100	1,25	0,19
EKI-150	B / L / N	150x100	1,50	0,30
EKI-200	B / L / N	200x100	1,50	0,39
EKI-300	B / L / N	300x150	2,00	0,77
EKI-400	B / L / N	400x150	2,50	1,27
EKI-500	B / L / N	500x150	2,50	1,61

Type: (B) Fire-galvanised / (L) Powder-coated / (N) Stainless steel

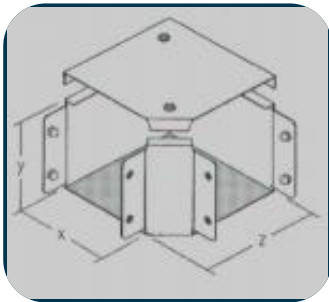
14 End caps outside



Order no.	Type	Dimensions (X x Y x Z)	Plate thickness (mm)	Weight (Kg)
EKA-20	B / L / N	20x20	1,00	0,02
EKA-30	B / L / N	30x30	1,00	0,03
EKA-50	B / L / N	50x50	1,25	0,08
EKA-75	B / L / N	75x75	1,25	0,14
EKA-100	B / L / N	100x100	1,25	0,21
EKA-150	B / L / N	150x100	1,50	0,34
EKA-200	B / L / N	200x100	1,50	0,43
EKA-300	B / L / N	300x150	2,00	0,84
EKA-400	B / L / N	400x150	2,50	1,44
EKA-500	B / L / N	500x150	2,50	2,21

Type: (B) Fire-galvanised / (L) Powder-coated / (N) Stainless steel

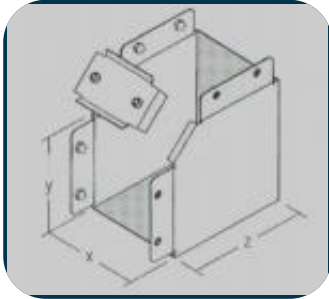
15 Corner cover top



Order no.	Type	Dimensions (X x Y x Z)	Plate thickness (mm)	Weight (Kg)
WDO-30	B / L / N	30x30x65	1,00	0,14
WDO-50	B / L / N	50x50x85	1,25	0,34
WDO-75	B / L / N	75x75x128,5	1,25	0,70
WDO-100	B / L / N	100x100x172	1,25	1,19
WDO-150	B / L / N	150x100x253	1,50	2,54
WDO-200	B / L / N	200x100x304	1,50	2,54
WDO-300	B / L / N	300x150x406	2,00	6,12
WDO-400	B / L / N	400x150x507	2,50	11,67
WDO-500	B / L / N	500x150x609	2,50	19,78

Type: (B) Fire-galvanised / (L) Powder-coated / (N) Stainless steel

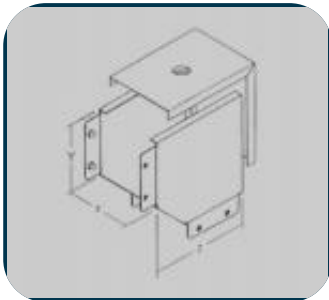
16 Corner cover inside



Order no.	Type	Dimensions (X x Y x Z)	Plate thickness (mm)	Weight (Kg)
WDI-30	B / L / N	30x30x65	1,00	0,16
WDI-50	B / L / N	50x50x85	1,25	0,32
WDI-75	B / L / N	75x75x128	1,25	0,66
WDI-100	B / L / N	100x100x172	1,25	1,15
WDI-150	B / L / N	150x100x203	1,50	2,13
WDI-200	B / L / N	200x100x203	1,50	2,48
WDI-300	B / L / N	300x150x253	2,00	4,20
WDI-400	B / L / N	400x150x253	2,50	6,68
WDI-500	B / L / N	500x150x253	2,50	9,71

Type: (B) Fire-galvanised / (L) Powder-coated / (N) Stainless steel

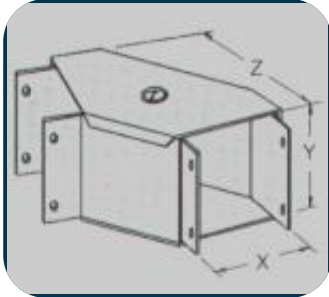
17 Corner cover outside



Order no.	Type	Dimensions (X x Y x Z)	Plate thickness (mm)	Weight (Kg)
WDA-30	B / L / N	30x30x65	1,00	0,16
WDA-50	B / L / N	50x50x85	1,25	0,37
WDA-75	B / L / N	75x75x128	1,25	0,74
WDA-100	B / L / N	100x100x172	1,25	1,08
WDA-150	B / L / N	150x100x203	1,50	2,26
WDA-200	B / L / N	200x100x203	1,50	2,62
WDA-300	B / L / N	300x150x253	2,00	4,42
WDA-400	B / L / N	400x150x253	2,50	6,99
WDA-500	B / L / N	500x150x253	2,50	10,11

Type: (B) Fire-galvanised / (L) Powder-coated / (N) Stainless steel

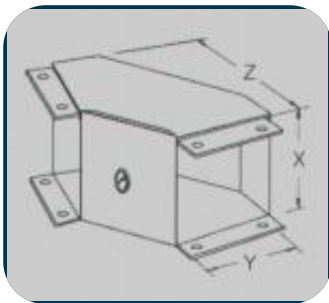
18 Arc angle cover top



Order no.	Type	Dimensions (X x Y x Z)	Plate thickness (mm)	Weight (Kg)
BDO-30	B / L / N	30x30x65	1,00	0,11
BDO-50	B / L / N	50x50x85	1,25	0,27
BDO-75	B / L / N	75x75x128,5	1,25	0,56
BDO-100	B / L / N	100x100x172	1,25	0,96
BDO-150	B / L / N	150x100x253	1,50	1,99
BDO-200	B / L / N	200x100x304	1,50	2,67
BDO-300	B / L / N	300x150x406	2,00	4,88
BDO-400	B / L / N	400x150x507	2,50	8,78
BDO-500	B / L / N	500x150x609	2,50	14,24

Type: (B) Fire-galvanised / (L) Powder-coated / (N) Stainless steel

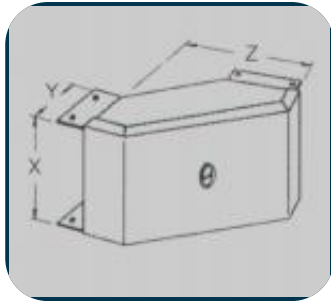
19 Arc angle cover inside



Order no.	Type	Dimensions (X x Y x Z)	Plate thickness (mm)	Weight (Kg)
BDI-30	B / L / N	30x30x65	1,00	0,10
BDI-50	B / L / N	50x50x85	1,25	0,25
BDI-75	B / L / N	75x75x128	1,25	0,52
BDI-100	B / L / N	100x100x172	1,25	0,90
BDI-150	B / L / N	150x100x203	1,50	1,66
BDI-200	B / L / N	200x100x203	1,50	1,96
BDI-300	B / L / N	300x150x253	2,00	3,38
BDI-400	B / L / N	400x150x253	2,50	5,43
BDI-500	B / L / N	500x150x253	2,50	7,93

Type: (B) Fire-galvanised / (L) Powder-coated / (N) Stainless steel

20 Arc angle cover outside



Order no.	Type	Dimensions (X x Y x Z)	Plate thickness (mm)	Weight (Kg)
BDA-30	B / L / N	30x30x65	1,00	0,11
BDA-50	B / L / N	50x50x85	1,25	0,29
BDA-75	B / L / N	75x75x128	1,25	0,58
BDA-100	B / L / N	100x100x172	1,25	0,98
BDA-150	B / L / N	150x100x203	1,50	1,75
BDA-200	B / L / N	200x100x203	1,50	2,08
BDA-300	B / L / N	300x150x253	2,00	3,57
BDA-400	B / L / N	400x150x253	2,50	5,58
BDA-500	B / L / N	500x150x253	2,50	8,01

Type: (B) Fire-galvanised / (L) Powder-coated / (N) Stainless steel

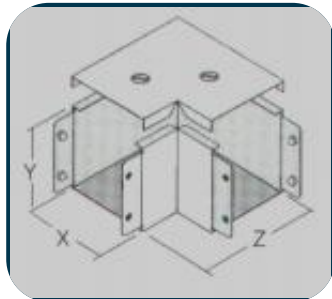
21 Telescopic piece



Order no.	Type	Dimensions (X x Y x Z)	Plate thickness (mm)	Weight (Kg)
TEL-50	B / L / N	50x50	1,25	2,00
TEL-75	B / L / N	75x75	1,25	3,00
TEL-100	B / L / N	100x100	1,25	4,03
TEL-150	B / L / N	150x100	1,50	5,84
TEL-200	B / L / N	200x100	1,50	7,03
TEL-300	B / L / N	300x150	2,00	10,76
TEL-400	B / L / N	400x150	2,50	17,04
TEL-500	B / L / N	500x150	2,50	25,26

Type: (B) Fire-galvanised / (L) Powder-coated / (N) Stainless steel

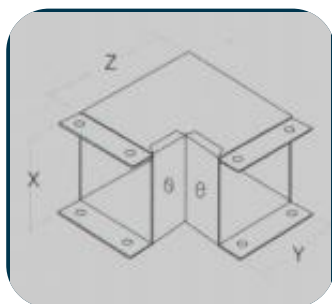
22 Corner angle cover top



Order no.	Type	Dimensions (X x Y x Z)	Plate thickness (mm)	Weight (Kg)
EDO-20	B / L / N	20x20x35	1,00	0,05
EDO-30	B / L / N	30x30x65	1,00	0,12
EDO-50	B / L / N	50x50x85	1,25	0,35
EDO-75	B / L / N	75x75x128	1,25	0,71
EDO-100	B / L / N	100x100x172	1,25	1,22
EDO-150	B / L / N	150x100x253	1,50	2,56
EDO-200	B / L / N	200x100x304	1,50	3,41
EDO-300	B / L / N	300x150x405	2,00	6,18
EDO-400	B / L / N	400x150x507	2,50	11,70
EDO-500	B / L / N	500x150x608,5	2,50	19,77

Type: (B) Fire-galvanised / (L) Powder-coated / (N) Stainless steel

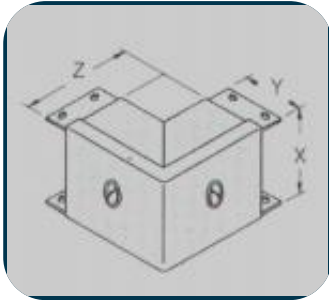
23 Corner angle cover inside



Order no.	Type	Dimensions (X x Y x Z)	Plate thickness (mm)	Weight (Kg)
EDI-20	B / L / N	20x20x35	1,00	0,05
EDI-30	B / L / N	30x30x65	1,00	0,11
EDI-50	B / L / N	50x50x85	1,25	0,33
EDI-75	B / L / N	75x75x128	1,25	0,67
EDI-100	B / L / N	100x100x172	1,25	1,15
EDI-150	B / L / N	150x100x203	1,50	2,15
EDI-200	B / L / N	200x100x203	1,50	2,54
EDI-300	B / L / N	300x150x253	2,00	2,54
EDI-400	B / L / N	400x150x253	2,50	6,50
EDI-500	B / L / N	500x150x253	2,50	9,06

Type: (B) Fire-galvanised / (L) Powder-coated / (N) Stainless steel

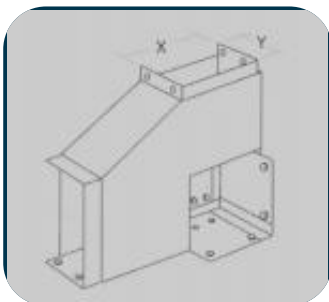
24 Corner angle cover outside



Order no.	Type	Dimensions (X x Y x Z)	Plate thickness (mm)	Weight (Kg)
EDA-20	B / L / N	20x20x35	1,00	0,05
EDA-30	B / L / N	30x30x65	1,00	0,14
EDA-50	B / L / N	50x50x85	1,25	0,37
EDA-75	B / L / N	75x75x128	1,25	0,37
EDA-100	B / L / N	100x100x172	1,25	1,27
EDA-150	B / L / N	150x100x203	1,50	2,30
EDA-200	B / L / N	200x100x203	1,50	2,70
EDA-300	B / L / N	300x150x253	2,00	4,56
EDA-400	B / L / N	400x150x253	2,50	7,26
EDA-500	B / L / N	500x150x253	2,50	10,56

Type: (B) Fire-galvanised / (L) Powder-coated / (N) Stainless steel

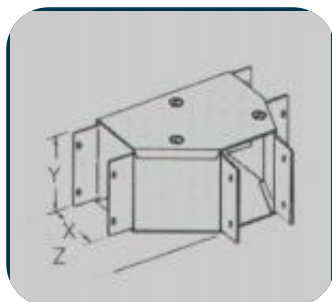
25 Corner outlet cover top



Order no.	Type	Dimensions (X x Y x Z)	Plate thickness (mm)	Weight (Kg)
WADO-50	B / L / N	50x50x85	1,25	0,33
WADO-75	B / L / N	75x75x129	1,25	0,68
WADO-100	B / L / N	100x100x172	1,25	1,14
WADO-150	B / L / N	150x100x253	1,50	2,44
WADO-200	B / L / N	200x100x304x1,50	3,25	
WADO-300	B / L / N	300x150x405	2,00	5,88
WADO-400	B / L / N	400x150x507	2,50	11,20
WADO-500	B / L / N	500x150x608,5	2,50	18,98

Type: (B) Fire-galvanised / (L) Powder-coated / (N) Stainless steel

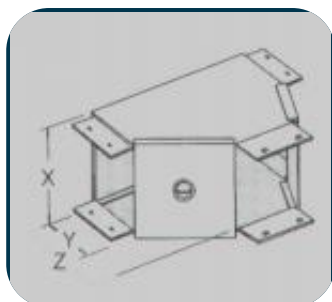
26 T-piece cover top



Order no.	Type	Dimensions (X x Y x Z)	Plate thickness (mm)	Weight (Kg)
TDO-20	B / L / N	20x20x50,5	1,00	0,07
TDO-30	B / L / N	30(65)x30x99,5	1,00	0,19
TDO-50	B / L / N	50(85)x50x119,5	1,25	0,42
TDO-75	B / L / N	75(128,5)x75x181,5	1,25	0,85
TDO-100	B / L / N	100(172)x100x243	1,25	1,47
TDO-150	B / L / N	150(253)x100x355	1,50	3,16
TDO-200	B / L / N	200(304)x100x406	1,50	4,07
TDO-300	B / L / N	300(406)x150x507	2,00	6,88
TDO-400	B / L / N	400(507)x150x609	2,50	12,73
TDO-500	B / L / N	500(609)x150x710	2,50	21,17

Type: (B) Fire-galvanised / (L) Powder-coated / (N) Stainless steel

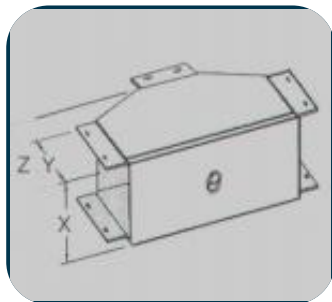
27 T-piece cover inside



Order no.	Type	Dimensions (X x Y x Z)	Plate thickness (mm)	Weight (Kg)
TDI-20	B / L / N	20x20x50,5	1,00	0,07
TDI-30	B / L / N	30x30(65)x99,5	1,00	0,19
TDI-50	B / L / N	50x50x(85)x119,5	1,25	0,86
TDI-75	B / L / N	75x75(128)x180,5	1,25	0,88
TDI-100	B / L / N	100x100(172)x243	1,25	1,50
TDI-150	B / L / N	150x100(203)x304	1,50	2,83
TDI-200	B / L / N	200x100(203)x304	1,50	3,26
TDI-300	B / L / N	300x150(253)x354	2,00	5,12
TDI-400	B / L / N	400x150(253)x354	2,50	8,02
TDI-500	B / L / N	500x150(253)x354	2,50	11,52

Type: (B) Fire-galvanised / (L) Powder-coated / (N) Stainless steel

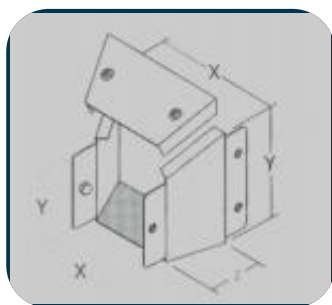
28 T-piece cover outside



Order no.	Type	Dimensions (X x Y x Z)	Plate thickness (mm)	Weight (Kg)
TDA-20	B / L / N	20x20x50,5	1,00	0,07
TDA-30	B / L / N	30x30(65)x99,5	1,00	0,19
TDA-50	B / L / N	50x50(85)x119,5	1,25	0,43
TDA-75	B / L / N	75x75(128)x180,5	1,25	0,88
TDA-100	B / L / N	100x100(172)x243	1,25	1,50
TDA-150	B / L / N	150x100(203)x304	1,50	2,83
TDA-200	B / L / N	200x100(203)x304	1,50	3,26
TDA-300	B / L / N	300x150(253)x354	2,00	5,12
TDA-400	B / L / N	400x150(253)x345	2,50	8,02
TDA-500	B / L / N	500x150(253)x345	2,50	11,52

Type: (B) Fire-galvanised / (L) Powder-coated / (N) Stainless steel

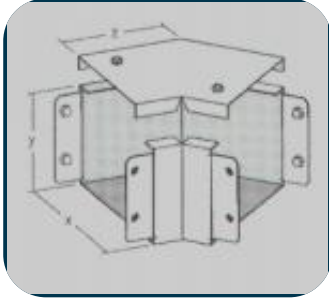
29 Reduction piece



Order no.	Type	Dimensions (X x Y x Z)	Plate thickness (mm)	Weight (Kg)
R-30-20	B / L / N	30x30<20x20	1,00	0,05
R-50-20	B / L / N	50x50<20x20	1,25	0,11
R-50-30	B / L / N	50x50<30x30	1,25	0,15
R-75-50	B / L / N	75x75<50x50	1,25	0,52
R-100-50	B / L / N	100x100<50x50	1,25	0,63
R-100-75	B / L / N	100x100<75x75	1,25	0,75
R-150-75	B / L / N	150x100<75x75	1,50	0,94
R-150-100	B / L / N	150x100<100x100	1,50	1,04
R-200-100	B / L / N	200x100<100x100	1,50	1,15
R-200-150	B / L / N	200x100<150x100	1,50	1,22
R-300-100	B / L / N	300x150<100x100	2,00	1,65
R-300-150	B / L / N	300x150<150x100	2,00	1,69
R-300-200	B / L / N	300x150<200x100	2,00	1,77
R-400-200	B / L / N	400x150<200x100	2,50	2,73
R-400-300	B / L / N	400x150<300x150	2,50	2,87
R-500-200	B / L / N	500x150<200x100	2,50	3,25
R-500-300	B / L / N	500x150<300x150	2,50	3,89
R-500-400	B / L / N	500x150<400x150	2,50	4,25

Type: (B) Fire-galvanised / (L) Powder-coated / (N) Stainless steel

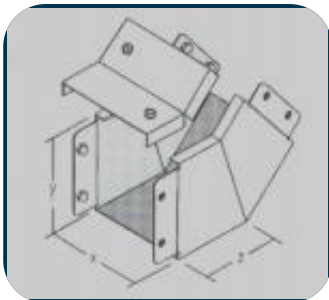
30 Bending angle 45° cover top



Order no.	Type	Dimensions (X x Y x Z)	Plate thickness (mm)	Weight (Kg)
BWDO-20	B / L / N	20x20x50,5	1,00	0,06
BWDO-30	B / L / N	30x30x64	1,00	0,14
BWDO-50	B / L / N	50x50x72	1,25	0,30
BWDO-75	B / L / N	75x75x82	1,25	0,47
BWDO-100	B / L / N	100x100x93	1,25	0,64
BWDO-150	B / L / N	150x100x114	1,50	1,08
BWDO-200	B / L / N	200x100x135	1,50	1,45
BWDO-300	B / L / N	300x150x177	2,00	2,59
BWDO-400	B / L / N	400x150x219	2,50	4,92
BWDO-500	B / L / N	500x150x261	2,50	8,30

Type: (B) Fire-galvanised / (L) Powder-coated / (N) Stainless steel

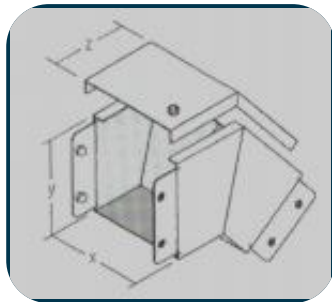
31 Bending angle 45° cover inside



Order no.	Type	Dimensions (X x Y x Z)	Plate thickness (mm)	Weight (Kg)
BWDI-20	B / L / N	20x20x50,5	1,00	0,06
BWDI-30	B / L / N	30x30x64	1,00	0,13
BWDI-50	B / L / N	50x50x152	1,25	0,66
BWDI-75	B / L / N	75x75x152	1,25	0,93
BWDI-100	B / L / N	100x100x152	1,25	1,13
BWDI-150	B / L / N	150x100x152	1,50	1,69
BWDI-200	B / L / N	200x100x152	1,50	2,00
BWDI-300	B / L / N	300x150x152	2,00	2,69
BWDI-400	B / L / N	400x150x152	2,50	4,33
BWDI-500	B / L / N	500x150x152	2,50	6,35

Type: (B) Fire-galvanised / (L) Powder-coated / (N) Stainless steel

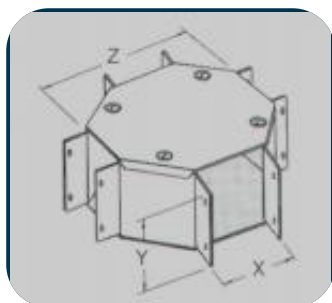
32 Bending angle 45° cover outside



Order no.	Type	Dimensions (X x Y x Z)	Plate thickness (mm)	Weight (Kg)
BWDA-20	B / L / N	20x20x50,5	1,00	0,06
BWDA-30	B / L / N	30x30x64	1,00	0,15
BWDA-50	B / L / N	50x50x173	1,25	0,77
BWDA-75	B / L / N	75x75x183	1,25	1,18
BWDA-100	B / L / N	100x100x194	1,25	1,54
BWDA-150	B / L / N	150x100x194	1,50	2,29
BWDA-200	B / L / N	200x100x194	1,50	2,70
BWDA-300	B / L / N	300x150x215	2,00	4,20
BWDA-400	B / L / N	400x150x215	2,50	6,75
BWDA-500	B / L / N	500x150x215	2,50	9,87

Type: (B) Fire-galvanised / (L) Powder-coated / (N) Stainless steel

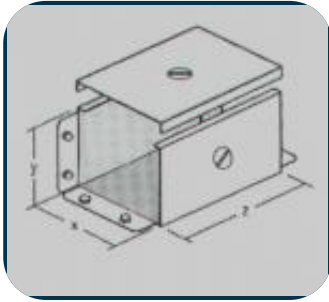
33 Cross piece



Order no.	Type	Dimensions (X x Y x Z)	Plate thickness (mm)	Weight (Kg)
KS-30	B / L / N	30x30x99,5	1,00	0,17
KS-50	B / L / N	50x50x119,5	1,25	0,49
KS-75	B / L / N	75x75x181,5	1,25	1,00
KS-100	B / L / N	100x100x243	1,25	1,73
KS-150	B / L / N	150x100x355	1,50	3,76
KS-200	B / L / N	200x100x406	1,50	4,73
KS-300	B / L / N	300x150x507	2,00	7,57
KS-400	B / L / N	400x150x609	2,50	13,74
KS-500	B / L / N	500x150x710,5	2,50	22,54

Type: (B) Fire-galvanised / (L) Powder-coated / (N) Stainless steel

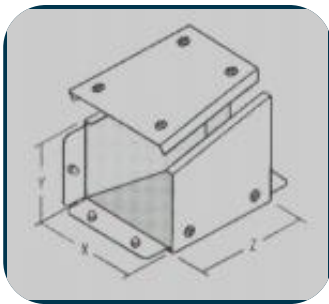
34 Turning piece square



Order no.	Type	Dimensions (X x Y x Z)	Plate thickness (mm)	Weight (Kg)
WSQ-50	B / L / N	50x50x75	1,25	0,24
WSQ-75	B / L / N	75x75x100	1,25	0,43
WSQ-100	B / L / N	100x100x150	1,25	0,78

Type: (B) Fire-galvanised / (L) Powder-coated / (N) Stainless steel

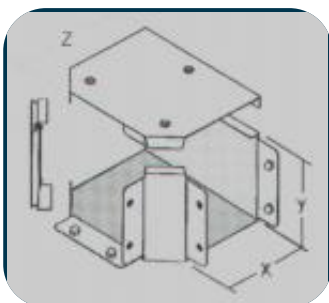
35 Turning piece rectangle



Order no.	Type	Dimensions (X x Y x Z)	Plate thickness (mm)	Weight (Kg)
WSR-300	B / L / N	300x150x152	2,00	2,50
WSR-150	B / L / N	150x100x152	1,50	1,27
WSR-200	B / L / N	200x100x152	1,50	1,58
WSR-400	B / L / N	400x150x152	2,50	4,68
WSR-500	B / L / N	500x150x152	2,50	7,55

Type: (B) Fire-galvanised / (L) Powder-coated / (N) Stainless steel

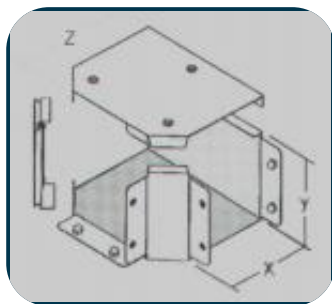
36 Turning piece T-shape



Order no.	Type	Dimensions (X x Y x Z)	Plate thickness (mm)	Weight (Kg)
WST-50	B / L	50(85)x50x120	1,25	0,40
WST-75	B / L / N	75(128)x75x182	1,25	0,84
WST-100	B / L / N	100(172)x100x243	1,25	1,44

Type: (B) Fire-galvanised / (L) Powder-coated / (N) Stainless steel

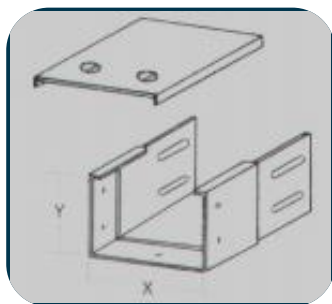
37 Turning piece angle



Order no.	Type	Dimensions (X x Y x Z)	Plate thickness (mm)	Weight (Kg)
WSW-50	B / L / N	50x50x85	1,25	0,27
WSW-75	B / L / N	75x75x128	1,25	0,55
WSW-100	B / L / N	100x100x243	1,25	0,93

Type: (B) Fire-galvanised / (L) Powder-coated / (N) Stainless steel

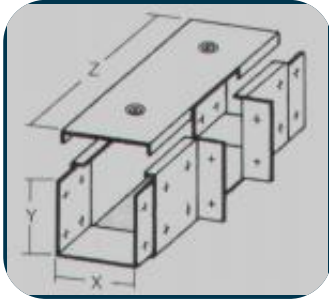
38 Telescopic piece



Order no.	Type	Dimensions (X x Y x Z)	Plate thickness (mm)	Weight (Kg)
TELK-50	B / L / N	50x50	1,25	1,43
TELK-75	B / L / N	75x75	1,25	2,15
TELK-100	B / L / N	100x100	1,25	2,89
TELK-150	B / L / N	150x150	1,50	4,23
TELK-200	B / L / N	200x100	1,50	5,28
TELK-300	B / L / N	300x150	2,00	7,80
TELK-400	B / L / N	400x150	2,50	12,30
TELK-500	B / L / N	500x150	2,50	18,25

Type: (B) Fire-galvanised / (L) Powder-coated / (N) Stainless steel

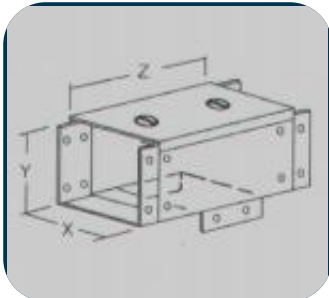
39 T-duct lateral



Order no.	Type	Dimensions (X x Y x Z)	Plate thickness (mm)	Weight (Kg)
TKS-30	B / L / N	30x30x100	1,00	0,13
TKS-50	B / L / N	50x50x203	1,25	0,53
TKS-75	B / L / N	75x75x228	1,25	0,84
TKS-100	B / L / N	100x100x254	1,25	1,22
TKS-150	B / L / N	150x100x304	1,50	2,12
TKS-200	B / L / N	200x100x355	1,50	2,85
TKS-300	B / L / N	300x150x457	2,00	5,17
TKS-400	B / L / N	400x150x559	2,50	9,99
TKS-500	B / L / N	500x150x661	2,50	17,14

Type: (B) Fire-galvanised / (L) Powder-coated / (N) Stainless steel

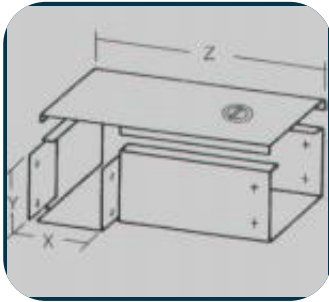
40 T-duct below



Order no.	Type	Dimensions (X x Y x Z)	Plate thickness (mm)	Weight (Kg)
TKU-30	B / L / N	30x30x100	1,00	0,16
TKU-50	B / L / N	50x50x203	1,25	0,58
TKU-75	B / L / N	75x75x228	1,25	0,90
TKU-100	B / L / N	100x100x254	1,25	1,30
TKU-150	B / L / N	150x100x304	1,50	2,20
TKU-200	B / L / N	200x100x355	1,50	4,19
TKU-300	B / L / N	300x150x457	2,00	5,27
TKU-400	B / L / N	400x150x559	2,50	9,90
TKU-500	B / L / N	500x150x661	2,50	17,25

Type: (B) Fire-galvanised / (L) Powder-coated / (N) Stainless steel

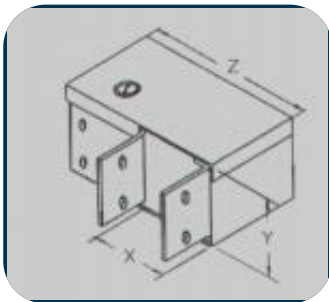
41 Corner angle left



Order no.	Type	Dimensions (X x Y x Z)	Plate thickness (mm)	Weight (Kg)
EWL-20	B / L / N	20x20x60	1,00	0,05
EWL-30	B / L / N	30x30x107	1,00	0,14
EWL-50	B / L / N	50x50x127	1,25	0,33
EWL-75	B / L / N	75x75x152	1,25	0,56
EWL-100	B / L / N	100x100x203	1,25	0,96
EWL-150	B / L / N	150x100x254	1,50	1,75
EWL-200	B / L / N	200x100x305	1,50	2,47
EWL-300	B / L / N	300x150x457	2,00	5,38
EWL-400	B / L / N	400x150x559	2,50	10,46
EWL-500	B / L / N	500x150x661	2,50	17,97

Type: (B) Fire-galvanised / (L) Powder-coated / (N) Stainless steel

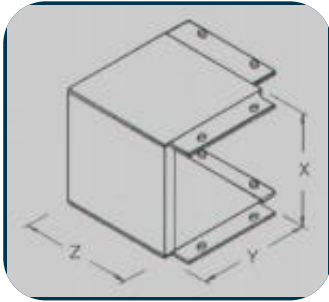
42 Corner angle right



Order no.	Type	Dimensions (X x Y x Z)	Plate thickness (mm)	Weight (Kg)
EWR-20	B / L / N	20x20x60	1,00	0,05
EWR-30	B / L / N	30x30x107	1,00	0,14
EWR-50	B / L / N	50x50x127	1,25	0,33
EWR-75	B / L / N	75x75x152	1,25	0,56
EWR-100	B / L / N	100x100x203	1,25	0,96
EWR-150	B / L / N	150x100x254	1,50	1,75
EWR-200	B / L / N	200x100x305	1,50	2,47
EWR-300	B / L / N	300x150x457	2,00	5,38
EWR-400	B / L / N	400x150x559	2,50	10,46
EWR-500	B / L / N	500x150x661	2,50	17,97

Type: (B) Fire-galvanised / (L) Powder-coated / (N) Stainless steel

43 Corner angle inside



Order no.	Type	Dimensions (X x Y x Z)	Plate thickness (mm)	Weight (Kg)
EWI-30	B / L / N	30x30x30	1,00	0,05
EWI-50	B / L / N	50x50x50	1,25	0,16
EWI-75	B / L / N	75x75x75	1,25	0,31
EWI-100	B / L / N	100x100x100	1,25	0,54
EWI-150	B / L / N	150x100x100	1,50	0,86
EWI-200	B / L / N	200x100x100	1,50	1,01
EWI-300	B / L / N	300x150x150	2,00	1,98
EWI-400	B / L / N	400x150x150	2,50	3,15
EWI-500	B / L / N	500x150x150	2,50	4,58

Type: (B) Fire-galvanised / (L) Powder-coated / (N) Stainless steel

44 Flexible angle cover top



Order no.	Type	Dimensions (X x Y x Z)	Plate thickness (mm)	Weight (Kg)
FLEDO-50	B / L / N	50x50	1,25	0,86
FLEDO-75	B / L / N	75x75	1,25	1,65
FLEDO-100	B / L / N	100x100	1,25	2,70
FLEDO-150	B / L / N	150x100	1,50	5,60
FLEDO-200	B / L / N	200x100	1,50	8,90
FLEDO-300	B / L / N	300x150	2,00	18,20
FLEDO-400	B / L / N	400x150	2,50	33,65
FLEDO-500	B / L / N	500x150	2,50	59,10

Type: (B) Fire-galvanised / (L) Powder-coated / (N) Stainless steel

45 Flexible angle cover inside

Order no.	Type	Dimensions (X x Y x Z)	Plate thickness (mm)	Weight (Kg)
FLEDI-50	B / L / N	50x50x	1,25	0,89
FLEDI-75	B / L / N	75x75	1,25	2,15
FLEDI-100	B / L / N	100x100	1,25	3,15
FLEDI-150	B / L / N	150x100	1,50	3,64
FLEDI-200	B / L / N	200x100	1,50	4,85
FLEDI-300	B / L / N	300x150	2,00	9,85
FLEDI-400	B / L / N	400x150	2,50	13,13
FLEDI-500	B / L / N	500x150	2,50	16,42

(Ohne Abbildung)

Type: (B) Fire-galvanised / (L) Powder-coated / (N) Stainless steel

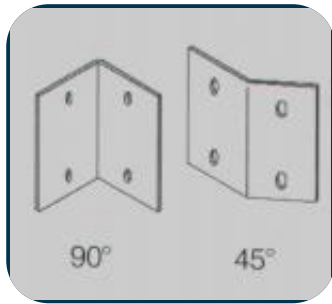
46 Flexible angle cover outside

Order no.	Type	Dimensions (X x Y x Z)	Plate thickness (mm)	Weight (Kg)
FLEDA-50	B / L / N	50x50	1,25	0,85
FLEDA-75	B / L / N	75x75	1,25	2,20
FLEDA-100	B / L / N	100x100	1,25	3,30
FLEDA-150	B / L / N	150x100	1,50	3,80
FLEDA-200	B / L / N	200x100	1,50	4,98
FLEDA-300	B / L / N	300x150	2,00	9,90
FLEDA-400	B / L / N	400x150	2,50	13,20
FLEDA-500	B / L / N	500x150	2,50	16,50

(Ohne Abbildung)

Type: (B) Fire-galvanised / (L) Powder-coated / (N) Stainless steel

47 Connection clips



Order no.	Type	Dimensions (X x Y x Z)	Plate thickness (mm)	Weight (Kg)
VL-20-45	B / L / N	20x45°	1,00	0,01
VL-20-90	B / L / N	20x90°	1,00	0,01
VL-30-45	B / L / N	30x45°	1,00	0,01
VL-30-90	B / L / N	30x90°	1,00	0,01
VL-50-45	B / L / N	50x45°	1,25	0,04
VL-50-90	B / L / N	50x90°	1,25	0,04
VL-75-45	B / L / N	75x45°	1,25	0,06
VL-75-90	B / L / N	75x90°	1,25	0,06
VL-100-45	B / L / N	100x45°	1,25	0,09
VL-100-90	B / L / N	100x90°	1,25	0,09
VL-150-45	B / L / N	150x45°	1,50	0,15
VL-150-90	B / L / N	150x90°	1,50	0,15
VL-20-180	B / L / N	20x180°	1,00	0,01
VL-30-180	B / L / N	30x180°	1,00	0,01
VL-50-180	B / L / N	50x180°	1,25	0,04
VL-75-180	B / L / N	75x180°	1,25	0,06
VL-100-180	B / L / N	100x180°	1,25	0,09
VL-150-180	B / L / N	150x180°	1,50	0,15

Type: (B) Fire-galvanised / (L) Powder-coated / (N) Stainless steel

48 Seals



Order no.	Type	Dimensions (X x Y x Z)	Plate thickness (mm)	Weight (Kg)
SV-001				0,01
SV-002				0,01

Type: (B) Fire-galvanised / (L) Powder-coated / (N) Stainless steel

49 Knee lever lock



Order no.	Type	Dimensions (X x Y x Z)	Plate thickness (mm)	Weight (Kg)
KHV-002				0,03

Type: (B) Fire-galvanised / (L) Powder-coated / (N) Stainless steel

50 Punch



Order no.	Type	Dimensions (X x Y x Z)	Plate thickness (mm)	Weight (Kg)
LZ004-D4,5		Stamp calibre 4,5	for K-2010 + K-3030	3,00
LZ004-D8,0		Stamp calibre 8,0	for KD-40 + >	3,00
LZ004-D9,6		Stamp calibre 9,6	for K-4040 + >	3,00

Type: (B) Fire-galvanised / (L) Powder-coated / (N) Stainless steel

51 Hinges



Order no.	Type	Dimensions (X x Y x Z)	Plate thickness (mm)	Weight (Kg)
KS40-0032		small		0,02
KS60-0031		large		0,04

Type: (B) Fire-galvanised / (L) Powder-coated / (N) Stainless steel

52 Bar turner - lever turner



Order no.	Type	Dimensions (X x Y x Z)	Plate thickness (mm)	Weight (Kg)
-----------	------	------------------------	----------------------	-------------

RDD-006

Type: (B) Fire-galvanised / (L) Powder-coated / (N) Stainless steel

53 Deburrer



Order no.	Type	Dimensions (X x Y x Z)	Plate thickness (mm)	Weight (Kg)
-----------	------	------------------------	----------------------	-------------

HE-005

0,08

Type: (B) Fire-galvanised / (L) Powder-coated / (N) Stainless steel

54 Mould crimper



Order no.	Type	Dimensions (X x Y x Z)	Plate thickness (mm)	Weight (Kg)
-----------	------	------------------------	----------------------	-------------

MS-007

Type: (B) Fire-galvanised / (L) Powder-coated / (N) Stainless steel

55 Rivet crimper



Order no.	Type	Dimensions (X x Y x Z)	Plate thickness (mm)	Weight (Kg)
-----------	------	------------------------	----------------------	-------------

NZ-008

Type: (B) Fire-galvanised / (L) Powder-coated / (N) Stainless steel

56 Serrated washer head screws



Order no.	Type	Dimensions (X x Y x Z)	Plate thickness (mm)	Weight (Kg)
-----------	------	------------------------	----------------------	-------------

M6x8VA 6x8 100 Stück 0,60

Type: (B) Fire-galvanised / (L) Powder-coated / (N) Stainless steel

57 Blind rivets



Order no.	Type	Dimensions (X x Y x Z)	Plate thickness (mm)	Weight (Kg)
-----------	------	------------------------	----------------------	-------------

AN-4x8 4,0x8 Alu 100 Stück 0,15

Type: (B) Fire-galvanised / (L) Powder-coated / (N) Stainless steel

58 Edge protection

(Ohne Abbildung)

Order no.	Type	Dimensions (X x Y x Z)	Plate thickness (mm)	Weight (Kg)
KSZ-2018		20x18x10	for K-2018	0,01
KSZ-3030		30x30x10	for K-3030	0,01
KSZ-4040		40x40x10	for K-4040	
KSZ-6060		60x60x10	for K-6060	0,01

Type: (B) Fire-galvanised / (L) Powder-coated / (N) Stainless steel

59 Trap protection duct

(Ohne Abbildung)

Order no.	Type	Dimensions (X x Y x Z)	Plate thickness (mm)	Weight (Kg)
SKO-130		130		2,00
SKO-180		180		2,00

Type: (B) Fire-galvanised / (L) Powder-coated / (N) Stainless steel

60 Mounting attachment set

(Ohne Abbildung)

Order no.	Type	Dimensions (X x Y x Z)	Plate thickness (mm)	Weight (Kg)
ALZ004-30			Aufstecksatz for 30er Kanäle	
ALZ004-40			Aufstecksatz for 40er Kanäle	
ALZ004-50			Aufstecksatz for 50er Kanäle	
ALZ004-60			Aufstecksatz for 60er Kanäle	
ALZ004-75			Aufstecksatz for 75er Kanäle	
ALZ004-100			Aufstecksatz for 100er Kanäle	

Type: (B) Fire-galvanised / (L) Powder-coated / (N) Stainless steel

TEST US!

The special quality and stability

not only result from particularly well-elaborated construction but also the reduced number of parts per component. More bespoke parts result in greater stability and less tolerance sources. We are the pioneer in this area!

High fit precision and repetition security

are ensured with our modern, high-quality and fully maintained machine fleet. We live Made in Germany!

Our own in-house, permanent A-parts warehouse

which stocks approximately 500 standard components (\cong 30 t) of a total of approx. 6,000 varieties, which makes it possible to supply standard parts very quickly. Customer-specific products can be handled immediately: from aluminium to stainless steel, and powder-coated in each RAL colour. We deliver what you ask for!

Deburring all components

goes without saying. For you and your customers, this means gaining handling and installation security.

The persuasive cost/benefit ratio

is ensured by the sleek company structure and through the optimised production processes. Can we convince you?

We will be happy to offer you a comparison

if you tell us your requests or send us an old order. We will send you an offer calculated individually for you.

MADE IN GERMANY!

BARAD Kabelkanalsysteme has been in business since 1987. We **plan, design** and **manufacture** in Fürth/Bavaria. **Some patents** for flexible length and corner pieces up to 90° are evidence of our competence and efficiency.

Our company was developed from **tool and special machine technology**. We know what experienced designers and masters of electrical installation need. Our product range was created from practical experience and also developed for practical applications. This is our world, we have **successfully established ourselves in it**.

BARAD cable duct systems comprise the **widest range** of cable duct types:

- in tool machine equipment
- in system engineering
- in special machine construction
- for major industrial businesses, like the automobile industry
- and for general purposes in the electrical industry

The **patented**, infinitely adjustable telescopic pieces as well as the infinitely adjustable turnable corner pieces allow immediate adaptation to unusual lengths or corners in special and exceptional cases on site. **Time-consuming work is no longer necessary** due to the great flexibility:

- 1 Measuring
- 2 Labelling
- 3 Sawing
- 4 Aligning ducts and covers
- 5 Deburring
- 6 Drilling
- 7 Placing seals
- 8 Welding seals
- 9 Disposing waste

And last but not least: **Injuries of all participants are prevented** because all of the aforementioned steps are **not necessary** through the use of universally settable telescopic or corner pieces!

BARAD
Kabelkanäle GmbH

BARAD
Kabelkanäle GmbH
Vacher Straße 86
90766 Fürth

Tel. +49 911 732074
Fax +49 911 757684
info@barad.de
www.barad.de